

## MAIN FEATURES

- ❖ Digital filter technology (SDR)
- ❖ Flexible filter selection
- ❖ Frequency shift function
- ❖ High sensitivity
- ❖ High dynamic range
- ❖ SNMP support
- ❖ Low power consumption
- ❖ Compact size

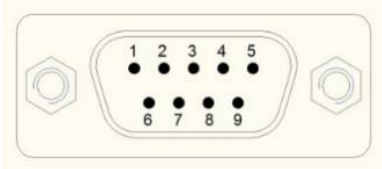
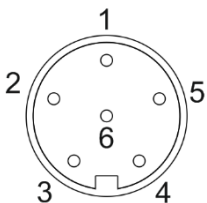
## DESCRIPTION

This repeater is intended for use in 400 MHz indoor TETRA systems. Based on the latest digital filter technology this model offers freedom for the users to select the best possible filter characteristics for the actual application type. It has perfect EVM parameters of <1% and low power consumption figures.

Supplied in a compact box, the BRTS34 is an ideal choice to be used in areas where flexible filter selection is essential for smooth operation and/or network design. The unit can be monitored and controlled by local and remote control software.

## SPECIFICATIONS

RF PARAMETERS	
Frequency band	Downlink: 390 – 395 MHz Uplink: 380 – 385 MHz
Operating frequency bandwidth	5 MHz
Mode of operation	4 Ch
Linear output power	Downlink: +18 dBm or 2 x 15 dBm (2 carriers) @ meets with ETSI Uplink: +18 dBm or 2 x 15 dBm (2 carriers) @ meets with ETSI
ICP3	Downlink: +45 dBm min. @ 2 x 15 dBm Uplink: +45 dBm min. @ 2 x 15 dBm
ACPR	60 dB @ linear output power
Nominal gain	70 dB
Gain setting range	10 – 70 dB in 1 dB steps
Gain ripple	<±1.5 dB typical
Gain stability	<±1.5 dB (within operating temp. range)
Uplink input noise figure	<6 dB @ max. gain
Harmonics	According to the ETSI regulation
Spurious radiation	According to the ETSI regulation
Local leakage	According to the ETSI regulation
EVM	<1% typ. (ETSI regulation <10%)
MECHANICAL PARAMETERS	
Type of RF connectors	4.3-10 – female
Number of RF connectors	2, MOBIL & DONOR
Power supply voltage	230 VAC, 50 – 60 Hz
Power supply plug	Type F plug
Power consumption	<60 W
Weight	12 kg

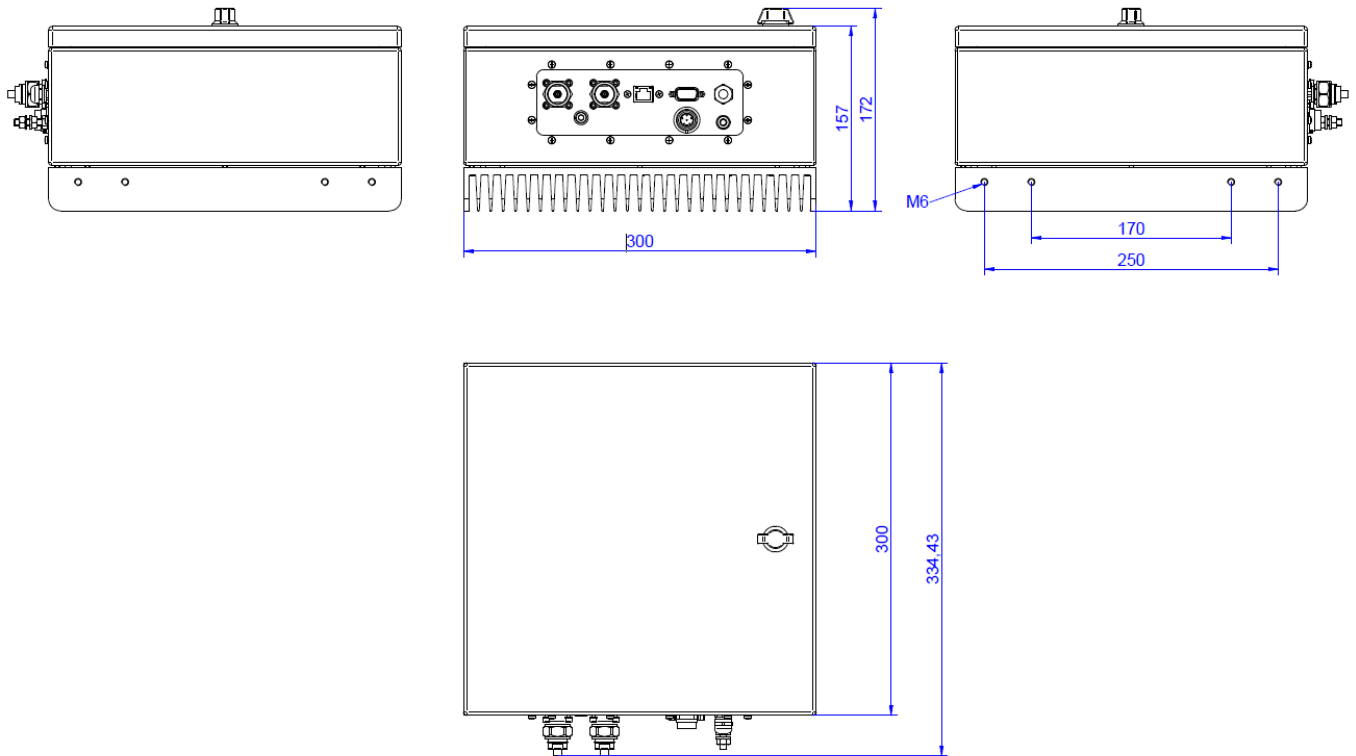
Dimension	300 x 300 x 172 mm (see outline dimensions)			
Operating temperature range	0 °C ... +45 °C			
Storage temperature range	-30 °C ... +70 °C			
Cooling	Convection			
Degree of protection	IP40 Indoor			
<b>SOFTWARE PARAMETERS</b>				
Wired control	Ethernet, SNMP v1 / v2c			
Alarm reporting	4 external alarm inputs, user configurable sum alarm (dry contact), SNMP error messages, SMS messages, status LED			
Wireless control	2G / 4G modem			
<b>SUM ALARM CONNECTOR PIN OUT (D-SUB MALE) <sup>(1)</sup></b>				
Pin no.	Function	Pin no.	Function	
1	N.C.	6	N.C.	
2	RX Data <sup>(2)</sup>	7	Dry Contact	
3	TX Data <sup>(2)</sup>	8	N.C.	
4	Dry Contact	9	N.C.	
5	GND	-	-	
<b>EXTERNAL ALARM CONNECTOR PIN OUT (BULGIN PX0412/06S)</b>				
Pin no.	Function			
1	External Alarm 2			
2	External Alarm 3			
3	External Alarm 4			
4	N.C.			
5	External Alarm 1			
6	Common			

Specifications are subject to change without notice.

(1) In SWITCH OFF case the relay will be open. The operation of the Dry Contact relay configurable by the user.

(2) Function is not installed.

### OUTLINE DRAWING (mm)



### ORDERING INFORMATION

MODEL NUMBER	DESCRIPTION
BRTS34K11171	BRTS34, 18 dBm, 380-385 MHz / 390-395 MHz, G 70 dB, 230 VAC, 4CH, Independent Channel Gain, SNMPv2c, 2G/4G modem, 2x 4.3-10-female Combined ports, 300*300, wall mount, IP40, HS 40 mm

### DOCUMENT REVISION

DOCUMENT NAME	REVISION	DATE	REASON FOR CHANGE
BRTS34-LM-K11171	V04	27/05/2022	Power consumption modification