

Directional Coupler 7-27/20

Robust high-performance coupler 700 – 2700 MHz

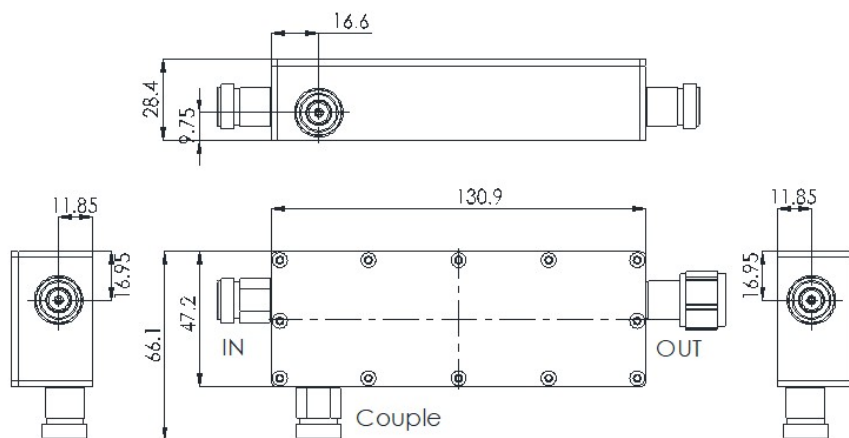
MIC360°
IN-BUILDING COMPONENTS by MIC



- Robust and high-performance RF taper for broadband applications
- Low insertion loss
- Wide frequency range
- Low PIM (Typ: -155dBc)

Electrical Specification		
Product Number		407 001 001
Frequency Band	MHz	700-2700
Coupling	dB	20
Ripple in-band	dB	$\leq \pm 1.0$
Insertion Loss	dB	≤ 0.3
Directivity	dB	≥ 20
VSWR		≤ 1.3
PIM (IM3)	dBc	$\leq -150 @ 2 \times 43 \text{ dBm}$ (Typ: -155)
Power Handling	W	200
Impedance	Ω	50
Environmental Specification		
Operating Temperature	$^{\circ}\text{C}$	-25 ~ +65
Sealing		IP65
Mechanical Specification		
Connectors		In and coupling port: Nf / Out port: Nm
Size	mm	130.9 x 47.2 x 28.4 (excluding connectors and brackets)
Weight	kg	0.45

MIC Nordic reserves the right to change this product specification at any time without notice.
All RF specifications are in accordance with the RED Directive 2014/53/EU, 1.6.3.4



MIC Nordic AB • Norgegatan 2, 164 32 Kista, Sweden
+46 8 23 97 00 • info@micnordic.se • www.micnordic.se