

Splitter 7-38 2-way

Robust 2-way splitter, 694 – 3800 MHz

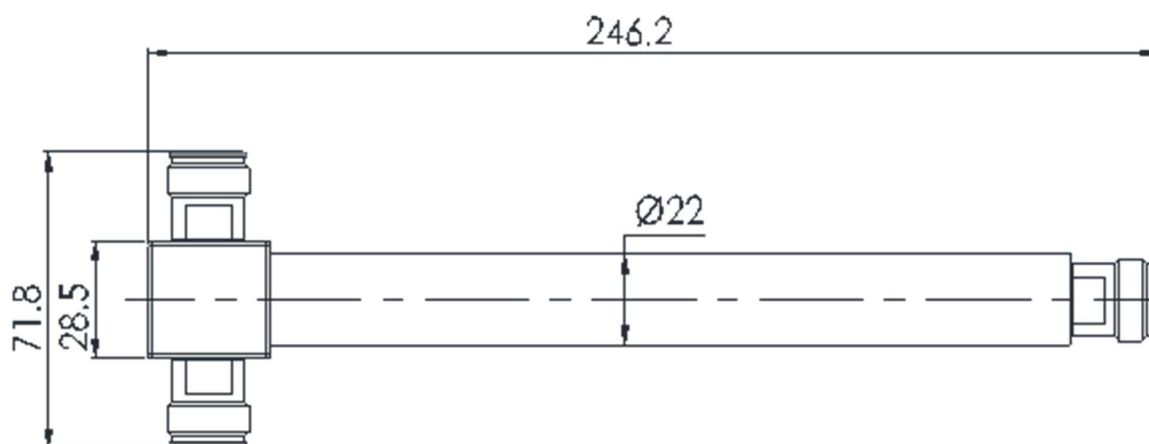
MIC360⁰
IN-BUILDING COMPONENTS by MIC



- Robust and high-performance 2-way splitter
- Low insertion loss
- Wide frequency range
- Low PIM (<-160dBc)

Electrical Specification		
Product Number		457 001 602
Frequency Band	MHz	694-3800
Split Value	dB	3.0
Insertion Loss	dB	≤ 0.2
VSWR		≤ 1.25
PIM (IM3)	dBc	≤ -160 @ 2 x 43 dBm
Power Handling	W	200
Impedance	Ω	50
Environmental Specification		
Operating Temperature	°C	-25~+65
Sealing		IP65
Mechanical Specification		
Connectors		4.3-10/F
Size	mm	246.2 x 71.8 x 28.5 Ø 22
Weight	kg	0.33

MIC Nordic reserves the right to change this product specification at any time without notice.
All RF specifications are in accordance with the RED Directive 2014/53/EU, 1.6.3.4



Splitter 7-38 3-way

Robust 3-way splitter, 694 – 3800 MHz

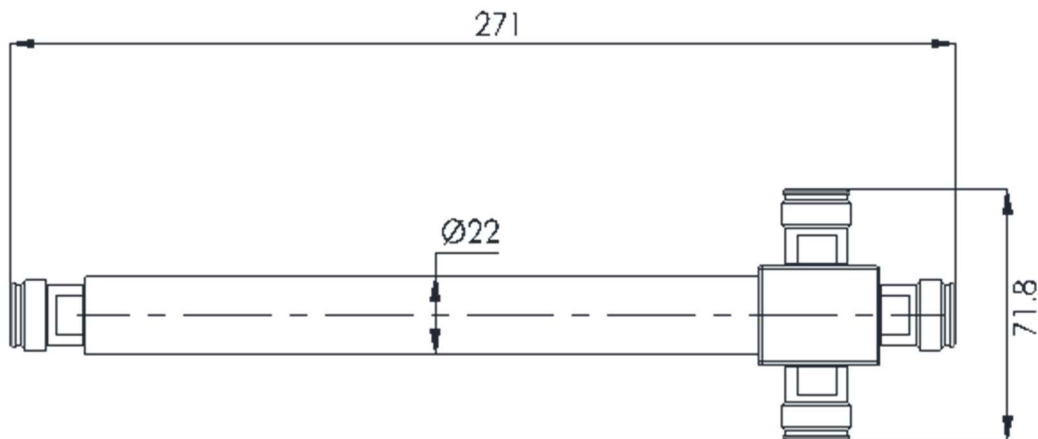
MIC360^o
IN-BUILDING COMPONENTS by MIC



- Robust and high-performance 3-way splitter
- Low insertion loss
- Wide frequency range
- Low PIM (<-160dBc)

Electrical Specification		
Product Number		457 001 603
Frequency Band	MHz	694-3800
Split Value	dB	4.8
Amplitude Balance	dB	± 0.35
Insertion Loss	dB	≤ 0.2
VSWR		≤ 1.25
PIM (IM3)	dBc	≤ -160 @ 2 x 43 dBm
Power Handling	W	200
Impedance	Ω	50
Environmental Specification		
Operating Temperature	°C	-25~+65
Sealing		IP65
Mechanical Specification		
Connectors		4.3-10/F
Size	mm	271 x 71.8 x 28.5 ∅ 22
Weight	kg	0.36

MIC Nordic reserves the right to change this product specification at any time without notice.
All RF specifications are in accordance with the RED Directive 2014/53/EU, 1.6.3.4



Splitter 7-38 4-way

Robust 4-way splitter, 694 – 3800 MHz

MIC360^o
IN-BUILDING COMPONENTS by MIC



- Robust and high-performance 4-way splitter
- Low insertion loss
- Wide frequency range
- Low PIM (<-160dBc)

Electrical Specification		
Product Number		457 001 604
Frequency Band	MHz	694-3800
Split Value	dB	6.0
Amplitude Balance	dB	± 0.4
Insertion Loss	dB	≤ 0.2
VSWR		≤ 1.3
PIM (IM3)	dBc	≤ -160 @ 2 x 43 dBm
Power Handling	W	200
Impedance	Ω	50
Environmental Specification		
Operating Temperature	°C	-25~+75
Sealing		IP65
Mechanical Specification		
Connectors		4.3-10/F
Size	mm	281 x 71.8 x 28.5 Ø 22
Weight	kg	0.37

MIC Nordic reserves the right to change this product specification at any time without notice.
All RF specifications are in accordance with the RED Directive 2014/53/EU, 1.6.3.4

