

Hybrid Combiner 7-38 2x2

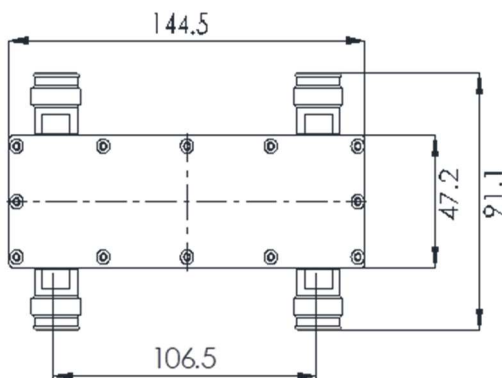
Hybrid Combiner with 2 in and 2 out 380 – 3800 MHz



- Robust and high-performance 2x2 hybrid combiner
- Low insertion loss
- Wide frequency range
- Low PIM (<-160dBc)

Electrical Specification		
Product Number		458 001 622
Frequency Band	MHz	694-3800
Coupling Value	dB	3.1 ± 0.9
Isolation	dB	≥25 @ 694-2700 MHz ≥22 @ 2701-3800 MHz
VSWR		≤1.2 @ 694-2700 MHz ≤1.3 @ 2701-3800 MHz
PIM (IM3)	dBc	≤-160 @ 2 x 43 dBm
Power Handling	W	300 / port
Impedance	Ω	50
Environmental Specification		
Operating Temperature	°C	-25 ~ +65
Ingress Protection		IP65
Mechanical Specification		
Connectors		4.3-10/F
Size	mm	144.5 x 47.2 (excluding connectors and brackets)
Weight	kg	0.55

MIC Nordic reserves the right to change this product specification at any time without notice.
All RF specifications are in accordance with the RED Directive 2014/53/EU, 1.6.3.4



Hybrid Combiner 7-38 3x3

Hybrid Combiner with 3 in and 3 out , 380 – 3800 MHz

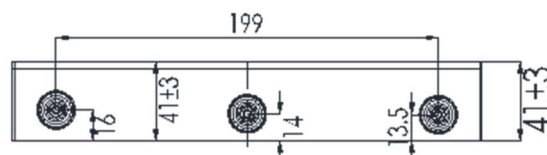
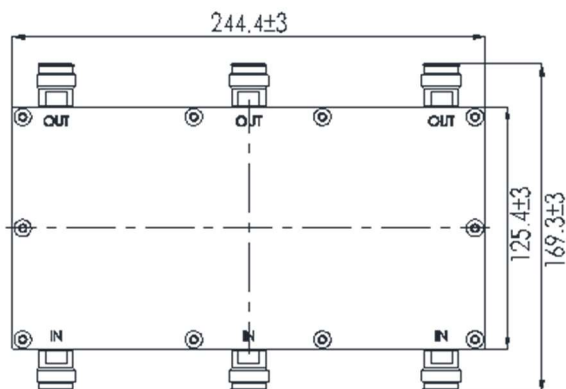
MIC360°
IN-BUILDING COMPONENTS by MIC



- Robust and high-performance 3x3 hybrid combiner
- Low insertion loss
- Wide frequency range
- Low PIM (<-155dBc)

Electrical Specification		
Product Number		458 001 633
Frequency Band	MHz	694-3800
Coupling Value	dB	5.0 ± 1.3
Isolation	dB	≥25 @ 694-2700 MHz ≥22 @ 2701-3800 MHz
VSWR		≤1.3
PIM (IM3)	dBc	≤-155 @ 2 x 43 dBm
Power Handling	W	100 / port
Impedance	Ω	50
Environmental Specification		
Operating Temperature	°C	-35 ~ +75
Ingress Protection		IP65
Mechanical Specification		
Connectors		4.3-10/F
Size	mm	245 x 126 x 41 (excluding connectors and brackets)
Weight	kg	2.7

MIC Nordic reserves the right to change this product specification at any time without notice.
All RF specifications are in accordance with the RED Directive 2014/53/EU, 1.6.3.4



Hybrid Combiner 7-38 4x4

Hybrid Combiner with 4 in and 4 out , 380 – 3800 MHz

MIC360^o
IN-BUILDING COMPONENTS by MIC



- Robust and high-performance 4x4 hybrid combiner
- Low insertion loss
- Wide frequency range
- Low PIM (<-160dBc)

Electrical Specification		
Product Number		458 001 644
Frequency Band	MHz	694-3800
Coupling Value	dB	6.0 ± 1.2
Isolation	dB	≥25 @ 694-2700 MHz ≥22 @ 2701-3800 MHz
VSWR		≤1.3
PIM (IM3)	dBc	≤-160 @ 2 x 43 dBm
Power Handling	W	200 / port
Impedance	Ω	50
Environmental Specification		
Operating Temperature	°C	-25 ~ +65
Ingress Protection		IP65
Mechanical Specification		
Connectors		4.3-10/F
Size	mm	304,9 x 84.4 x 41 (excluding connectors and brackets)
Weight	kg	2.4

MIC Nordic reserves the right to change this product specification at any time without notice.
All RF specifications are in accordance with the RED Directive 2014/53/EU, 1.6.3.4

