

1800MHz Digital Pico Repeater

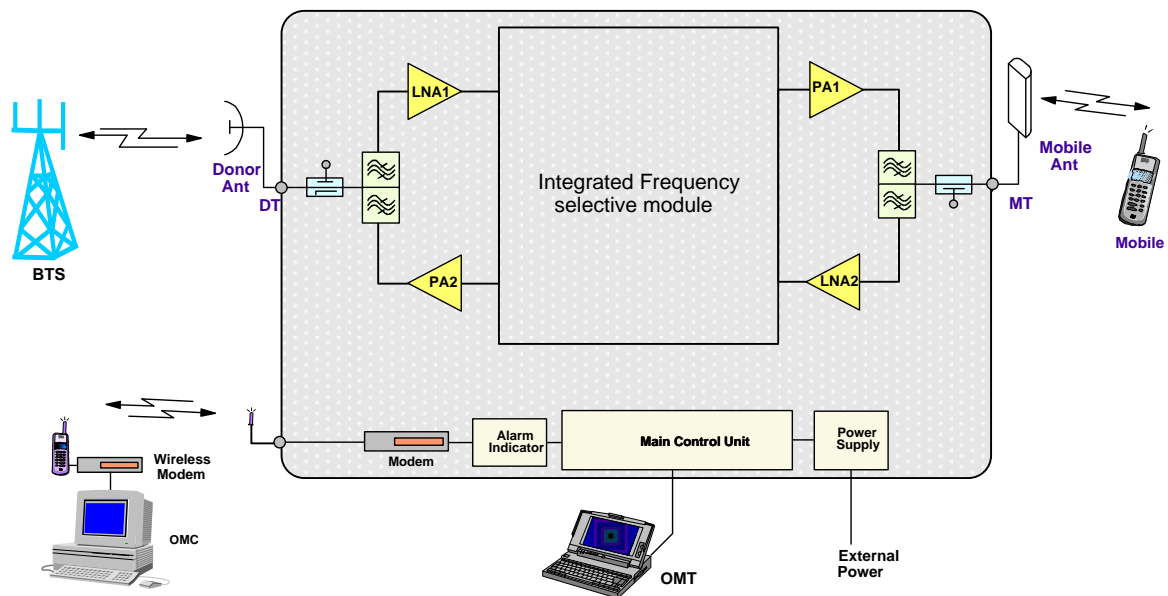
MP-1832

Features

- Bandwidth adjustable for both downlink and uplink.
- Support Cellular Communication and NB-IoT (Stand Alone, Guard Band and In-band).
- Max. 2 pass band segments with independent ON/OFF for maximum flexibility.
- Max. 20dBm total output power.
- Offline isolation detection for easy commissioning.
- Low noise amplifier improves system noise figure for better voice quality and reduced drop call.
- Highly integrated design with miniaturized enclosure, small size, light weight and easy to install.
- Includes Modem for remote monitoring (option).
- Compatible to Comba generic OMT and CMS platform.



Functional Block Diagram



Specifications

Electrical		20dBm	
Operating Frequency, Uplink	MHz	1710-1785	
Operation Frequency, Downlink	MHz	1805-1880	
Instantaneous Bandwidth	MHz	50	
Operating Bandwidth Per Sub-band*	MHz	0.2-25	
Number of Sub-bands		2	
Total Output Power, Uplink	dBm	17	
Total Output Power, Downlink	dBm	20	
Maximum System Gain	dB	75	
Attenuation Adjustment Range (1dB step)	dB	0-30	
ALC Range	dB	≥ 15	
Pass Band Ripple at FBW, p-p	dB	≤ 4	
System Group Delay	μsec	≤ 6	
Spurious Emission Mask		Compliance with 3GPP TS 36.106	
Intermodulation			
EVM			
Absolute Maximum RF input power	dBm	-10	
Input VSWR		≤ 2.0	
Impedance	Ω	50	
Mechanical			
Dimensions, W x H x D	mm	198 x 78 x 43	
Weight (approx.)	kg	0.5	
External Power Supply Unit	Input	VAC	100-240/50-60Hz
	Output	VDC	12
Power Consumption	W	14	
Enclosure Cooling		Convection	
Connectors		SMA-Female	
Operating Temperature	°C	-10 to +40	
Operating Humidity		≤ 85%	
Environmental Class		IP30	
MTBF	hr	≥ 50,000	
Remote Monitoring (option)		Built in Wireless Modem	

Note: Typical specification at room temperature

*: GSM Max. Bandwidth 25MHz, LTE Max. Bandwidth 20MHz