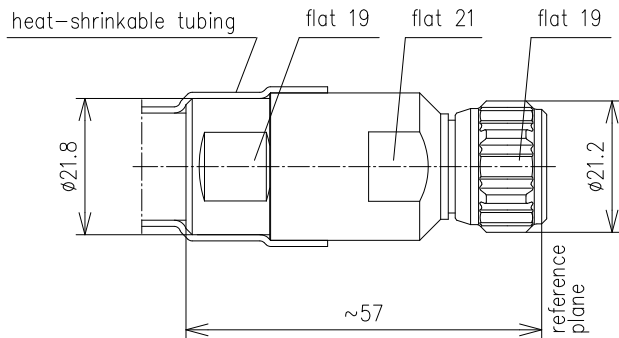
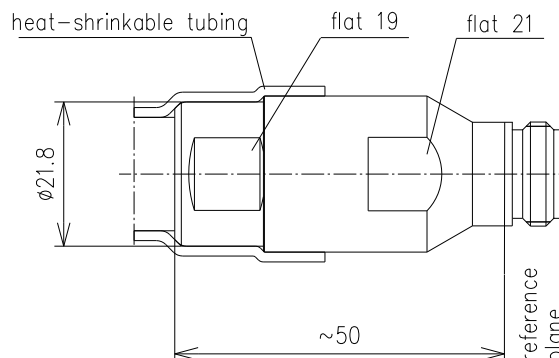


CABLE PLUG FOR LF 1/2"-50-TYPE N



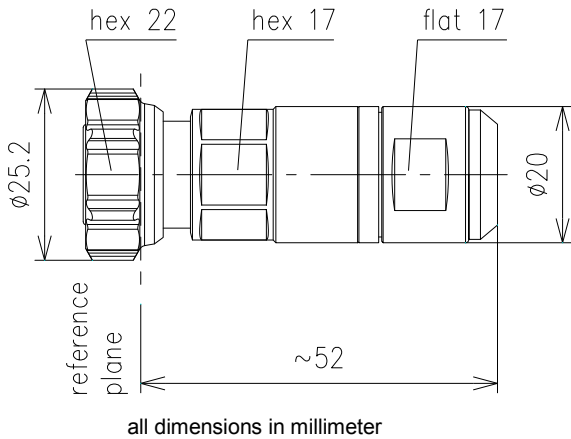
| | | | | |
|---------------------------|--|-------------|----------------------|-------------|
| Part number | BN 87 01 89 | | | |
| Connector type | N plug | | | |
| Version | CAF® | | | |
| Impedance | 50 Ω | | | |
| Frequency range | 0 - 1 GHz | 1 - 2.7 GHz | 2.7 - 3.8 GHz | 3.8 - 6 GHz |
| VSWR | ≤ 1.02 | ≤ 1.03 | ≤ 1.08 | ≤ 1.1 |
| Material and surface | | | | |
| Inner conductor | copper alloy | | silver-plated | |
| Outer conductor | copper alloy | | silver-plated | |
| Other metal parts | copper alloy | | bright nickel-plated | |
| Insulation | PTFE, PE | | | |
| Sealing | silicone rubber, EPDM, heat-shrinkable adhesive tubing | | | |
| Degree of protection | IP68 (mated) | | | |
| Cable compatibility | RFS | LCF 12-50 | | |
| Standards | IEC 61169-16 | | | |
| Installation instructions | M30749 | | | |
| Weight | approx. 0.12 kg | | | |
| Included in delivery | sealing, installation instructions | | | |

CABLE SOCKET FOR LF 1/2"-50-TYPE N



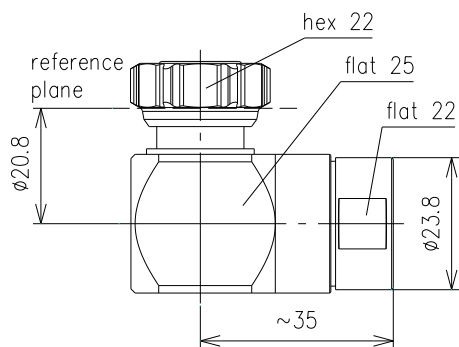
| | | | | |
|---------------------------|--|-------------|----------------------|-------------|
| Part number | BN 84 60 89 | | | |
| Connector type | N socket | | | |
| Version | CAF® | | | |
| Impedance | 50 Ω | | | |
| Frequency range | 0 - 1 GHz | 1 - 2.7 GHz | 2.7 - 3.8 GHz | 3.8 - 6 GHz |
| VSWR | ≤ 1.02 | ≤ 1.03 | ≤ 1.08 | ≤ 1.1 |
| Material and surface | | | | |
| Inner conductor | copper alloy | | silver-plated | |
| Outer conductor | copper alloy | | silver-plated | |
| Other metal parts | copper alloy | | bright-nickel-plated | |
| Insulation | PTFE, PE | | | |
| Sealing | silicone rubber, EPDM, heat-shrinkable adhesive tubing | | | |
| Degree of protection | IP68 (mated) | | | |
| Cable compatibility | RFS | LCF 12-50 | | |
| Standards | IEC 61169-16 | | | |
| Installation instructions | M30749 | | | |
| Weight | approx. 0.1 kg | | | |
| Included in delivery | sealing, installation instructions | | | |

Cable Plug for SF 1/2"-50, Type 4.3-10 || BN 431171



| | | |
|---|---|------------------------|
| Interface type | 4.3-10 plug screw (50 Ω) per IEC 61169-54 | |
| Version | MultiFit™ | |
| Frequency range | DC to 6 GHz | |
| VSWR, max. | 1.02 @ DC to 1 GHz 1.03 @ 1 to 2.7 GHz 1.08 @ 2.7 to 3.8 GHz 1.14 @ 3.8 to 6 GHz | |
| Inner conductor material / surface finish | copper alloy / silver plated | |
| Outer conductor material / surface finish | copper alloy / CuSnZn plated | |
| Other metal parts / surface finish | copper alloy / bright nickel plated | |
| Insulation | PTFE | |
| Sealing | silicone rubber | |
| IP protection level | IP68 per EN 60529 (barrier and mating face sealed) | |
| Cable compatibility | Spinner | SPINNERFlex™ SF1/2"-50 |
| | Acome | HPL50-1/2SF |
| | Andrew | FSJ4-50B |
| | Draka | RFF 1/2"-50 |
| | Eupen | EC4-50-HF |
| | Hansen | RF 50 1/2"S |
| | Hengxin | HRCAY-50-9 |
| | Leoni | FlexLine 1/2" S |
| | LS Cables | HFSC 12D |
| | RFS | SCF 12-50 |
| Installation instructions | M32106 | |
| Weight, approx. | approx. 84 g | |
| Included in delivery | installation instructions | |

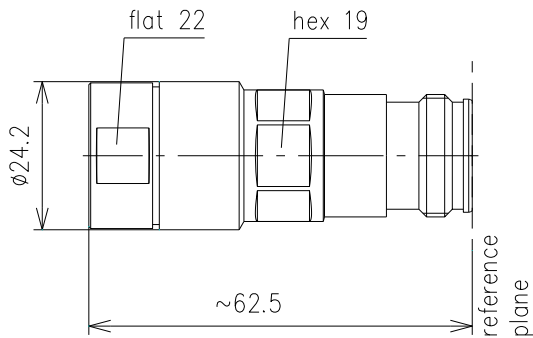
Right Angle Cable Plug for LF 1/2"-50, Type 4.3-10 || BN 431116



all dimensions in millimeter

| | | |
|---|---|---|
| Interface type | 4.3-10 plug screw (50 Ω) per IEC 61169-54 | |
| Version | MultiFit™ | |
| VSWR, max. | 1.03 @ DC to 1 GHz 1.06 @ 1 to 2.7 GHz 1.10 @ 2.7 to 3.8 GHz | |
| Frequency range | DC to 3.8 GHz | |
| Inner conductor material / surface finish | copper alloy / silver plated | |
| Outer conductor material / surface finish | copper alloy / CuSnZn plated | |
| Other metal parts / surface finish | copper alloy / bright nickel plated copper alloy / Sn plated copper alloy / CuSnZn plated | |
| Insulation | PTFE | |
| Sealing | silicone rubber | |
| IP protection level | IP68 per EN 60529 (barrier and mating face sealed) | |
| Cable compatibility | Spinner Acome Andrew Draka Eupen Hansen Hengxin Leoni LS Cable RFS | SPINNERFlex™ LF1/2"-50 HPL50-1/2 F LDF4-50A RFA 1/2"-50 EC4-50 RF 50 1/2" HCAAY-50-12 FlexLine 1/2"R HFC 12D Flexible Foam LCF 12-50, LCF 12-50L |
| Installation instructions | M32130 | |
| Weight, approx. | 165 g | |
| Included in delivery | cutting guide, installation instructions | |

Cable Socket for für Kabel LF 1/2"-50 || BN 431017



all dimensions in millimeter

| | | |
|---|---|-------------------------|
| Interface type | 4.3-10 socket MultiFit™ (50 Ω) per IEC61169-54 | |
| VSWR, max. | 1.02 @ DC to 1 GHz 1.03 @ 1 to 2,7 GHz 1.08 @ 2,7 to 3,8 GHz 1.1 @ 3,8 to 6 GHz | |
| Frequency range | DC to 6 GHz | |
| Inner conductor material / surface finish | copper alloy / silver plated | |
| Outer conductor material / surface finish | copper alloy / CuSnZn plated | |
| Other metal parts / surface finish | copper alloy / Sn plated copper alloy / CuSnZn plated copper alloy / bright nickel plated | |
| Insulation | PTFE, PE | |
| Sealing | silicone rubber EPDM | |
| Degree of protection | IP68 per EN 60529 (interface connected with appropriate gasket) | |
| Cable compatibility | Spinner | SPINNERFlex™ LF 1/2"-50 |
| | Acome | HPL50-1/2F |
| | Andrew | LDF4-50A |
| | Draka | RFA 1/2"-50 |
| | Eupen | EC4-50 |
| | Hansen | RF 50 1/2" |
| | Hengxin | HCAAY-50-12 |
| | Leoni | FlexLine 1/2" R |
| | LS Cables | HFC 12D Flexible Foam |
| | RFS | LCF 12-50, LCF 12-50 L |
| Installation instructions | M32130 | |
| Weight, approx. | 85 g | |
| Included in delivery | cutting guide, installation instructions | |