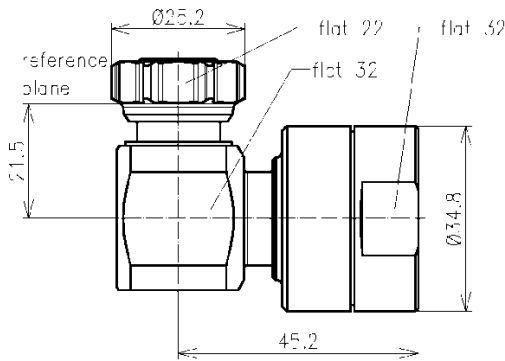


Right Angle Cable Plug for LF 7/8"-50, Type 4.3-10 || BN 431133



all dimensions in millimeter

Interface type	4.3-10 plug screw (50 Ω) per IEC 61169-54	
Version	MultiFit™	
VSWR, max.	1.04 @ DC to 1 GHz 1.06 @ 1 to 2.2 GHz 1.08 @ 2.2 to 2.7 GHz 1.1 @ 2.7 to 3.8 GHz	
Frequency range	DC to 3.8 GHz	
Inner conductor material / surface finish	copper alloy / silver plated	
Outer conductor material / surface finish	copper alloy / CuSnZn plated	
Other metal parts / surface finish	copper alloy / bright nickel plated copper alloy / Sn plated copper alloy / CuSnZn plated	
Insulation	PTFE	
Sealing	silicone rubber	
IP protection level	IP68 per EN 60529 (barrier and mating face sealed)	
Cable compatibility	Spinner Acome Andrew Draka Eupen Hansen Hengxin Leoni LS Cable RFS	SPINNERFlex™ LF7/8"-50 HPL50-7/8 ALU, HPL50-7/8 F, HPL50-7/8 LA AL5-50, AVA5-50, VXL5-50 RFA 7/8"-50, RFA 7/8"-50 AI, RFE 7/8"-50 EA5-50 Aluminium, EC5-50-A, EC5-50-HF RF 50 7/8" HCTAY-50-22 FlexLine 7/8" R Low Loss LHF 22D, HFC 22D LCF 78-50 A, LCF 78-50 L, UCF 78-50 A, UCF 78-50 L
Installation instructions	M32110	
Weight, approx.	290 g	
Included in delivery	installation instructions	