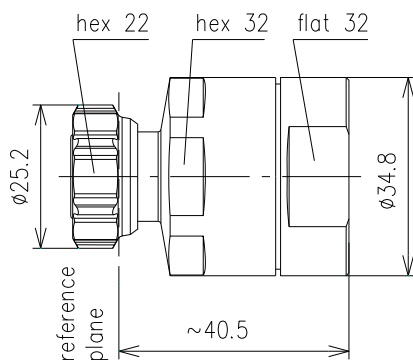


Cable Plug for LF 7/8"-50, Type 4.3-10 || BN 431102



all dimensions in millimeter

Interface type	4.3-10 plug screw (50 Ω) per IEC61169-54	
Version	MultiFit™	
VSWR, max.	1.02 @ DC to 1 GHz 1.03 @ 1 to 2.7 GHz 1.08 @ 2.7 to 3.8 GHz	
Frequency range	DC to 3.8 GHz	
Inner conductor material / surface finish	copper alloy / silver plated	
Outer conductor material / surface finish	copper alloy / CuSnZn plated	
Other metal parts / surface finish	copper alloy / Sn plated copper alloy / CuSnZn plated copper alloy / bright nickel plated	
Insulation	PTFE	
Sealing	silicone rubber	
Degree of protection	IP68 (mated)	
Cable compatibility	Spinner	SPINNERFlex™ LF7/8"-50
	Acome	HPL50-7/8 ALU, HPL50-7/8 F, HPL50-7/8 LA
	Andrew	AL5-50, AVA5-50, VXL5-50
	Draka	RFA 7/8"-50, RFA 7/8"-50 AI, RFE 7/8"-50
	Eupen	EA5-50 Aluminium, EC5-50-A, EC5-50-HF
	Hansen	RF 50 7/8"
	Hengxin	HCTAY-50-22
	Leoni	FlexLine 7/8" R Low Loss
	LS Cables	LHF 22D, HFC 22D
	RFS	LCF 78-50 A, LCF 78-50 L, UCF 78-50 A, UCF 78-50 L
Installation instructions	M32110	
Weight, approx.	85 g	
Included in delivery	cutting guide, installation instructions	